



Designer: Lucile Souflet (BE)

SPECIFICATIONS

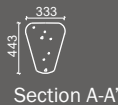
MATERIAL	Cast stone
FIXING	2x M12 Shelve
WEIGHT	8.095 kg (A - 2.600 kg / B - 1.447 kg C - 1.447 kg / D - 2.600 kg)
FINISH	Micro etched / Polished / Velvet Waterproof and anti-graffiti protection



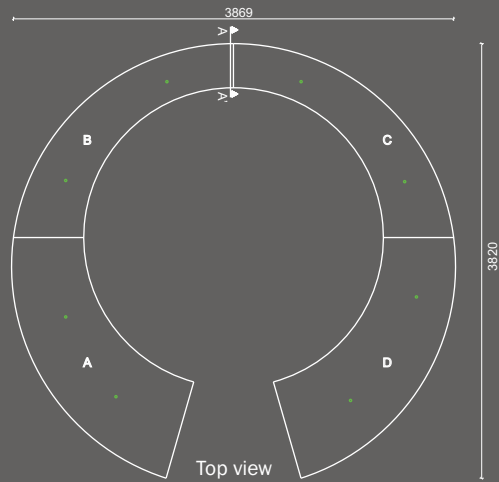
GEOMETRY



Side view



Section A-A'



Top view

HANDLING

