

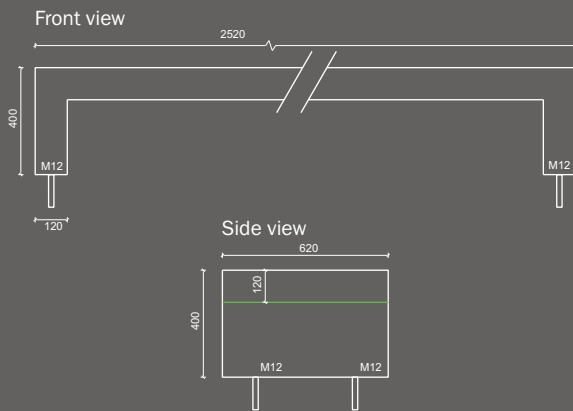


SPECIFICATIONS

MATERIAL	Cast stone
FIXING	4x M12 Shelve - length 200mm
WEIGHT	551 kg
FINISH	Fair faced / Micro etched / Polished / Velvet Waterproof and anti-graffiti protection



GEOMETRY



HANDLING

