



Designer: Roel Vandebek (BE)

SPECIFICATIONS

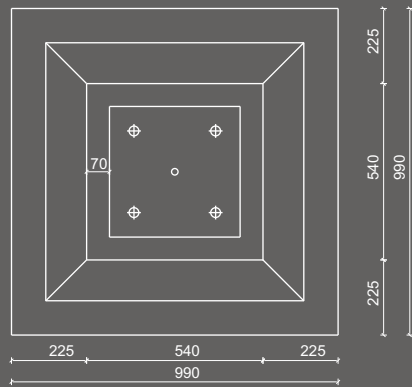
MATERIAL	Cast stone
FIXING	Incorporated
WEIGHT	600 kg
FINISH	Micro etched / Polished / Velvet Waterproof and anti-graffiti protection



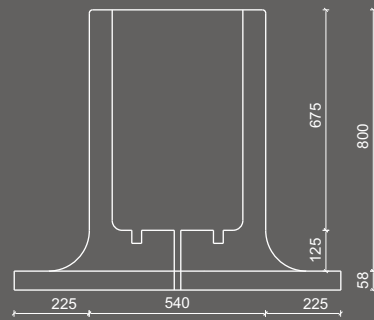
Planter Pop Up

GEOMETRY

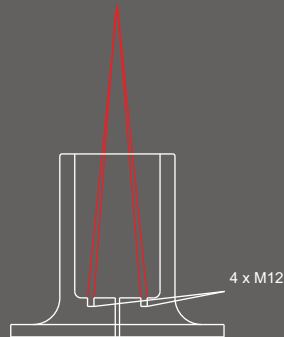
Top view



Crosscut



HANDLING



In combination with
slabs 990/990 mm

Combination tip: Bench Pop Up & Slabs 990/990 mm