



Designer: Arne Quinze (BE)

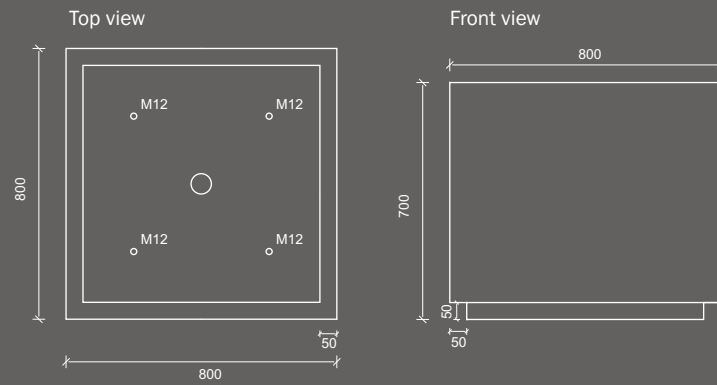
SPECIFICATIONS

MATERIAL	Cast stone
FIXING	Free-standing
WEIGHT	370 kg
FINISH	Micro etched Waterproof and anti-graffiti protection

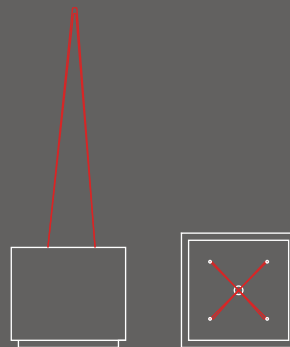


Planter Lau Scape

GEOMETRY



HANDLING



Combination tip: Bench City Scape